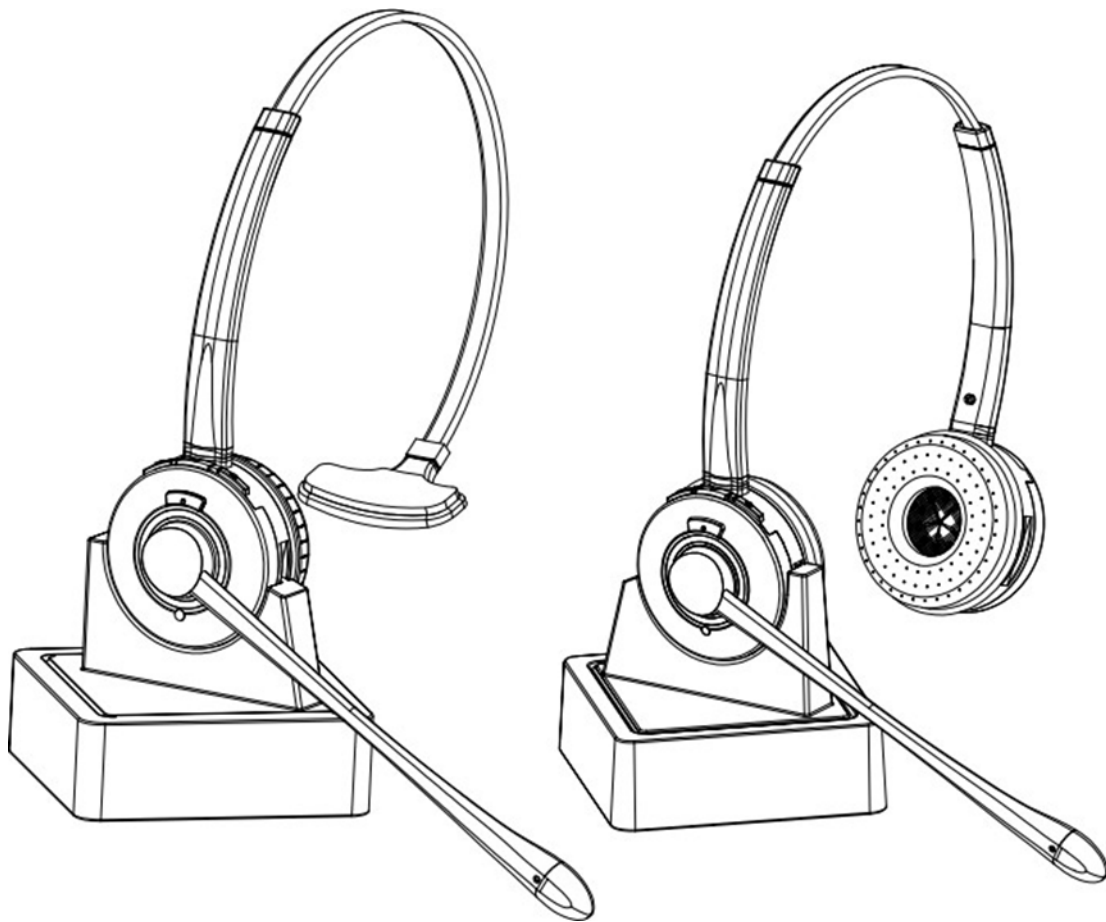


# *esi* ESI Bluetooth Headset

## User's Guide

Thank you for choosing the new ESI Bluetooth Headset. The headset will function with any device that supports Bluetooth. The headset will also work on devices that don't have built in Bluetooth with the Bluetooth adapter and an available USB port. We are confident that you will find the headset comfortable to wear and easy to use.



# Contents

- Product Overview** \_\_\_\_\_ **3**
- Package Contents** \_\_\_\_\_ **3**
- Headset** \_\_\_\_\_ **4**
- Base** \_\_\_\_\_ **5**
- Bluetooth adapter** \_\_\_\_\_ **5**
- Usage** \_\_\_\_\_ **6**
- Pairing headset with Bluetooth device** \_\_\_\_\_ **6**
- Pairing Headset to a device that does not have built in Bluetooth** \_\_\_\_\_ **7**
- Charging** \_\_\_\_\_ **8**
- Headset Usage** \_\_\_\_\_ **8**
- Using headset with a device that natively supports Electronic Hookswitch (EHS) \_\_\_\_\_ **8**
- Using headset with a device that does not natively support EHS \_\_\_\_\_ **8**
- Using headset with desktop apps such as eMobile \_\_\_\_\_ **8**
- Powering headset on and off \_\_\_\_\_ **8**
- Headset Speaker Volume Buttons** \_\_\_\_\_ **9**
- Headset Mute Button** \_\_\_\_\_ **9**
- Headset LED Status Indicator** \_\_\_\_\_ **9**
- Technical Specifications** \_\_\_\_\_ **10**
- Headset** \_\_\_\_\_ **10**
- Headset battery** \_\_\_\_\_ **10**
- Bluetooth adapter** \_\_\_\_\_ **10**
- Charging Base** \_\_\_\_\_ **10**
- Troubleshooting:** \_\_\_\_\_ **11**
- Product Disposal** \_\_\_\_\_ **12**
- FCC Compliance** \_\_\_\_\_ **12**
- RF Compliance** \_\_\_\_\_ **12**

# Product Overview

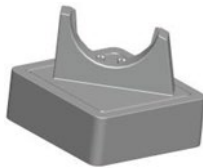
## Package Contents



**Headset**



**Bluetooth Adapter**

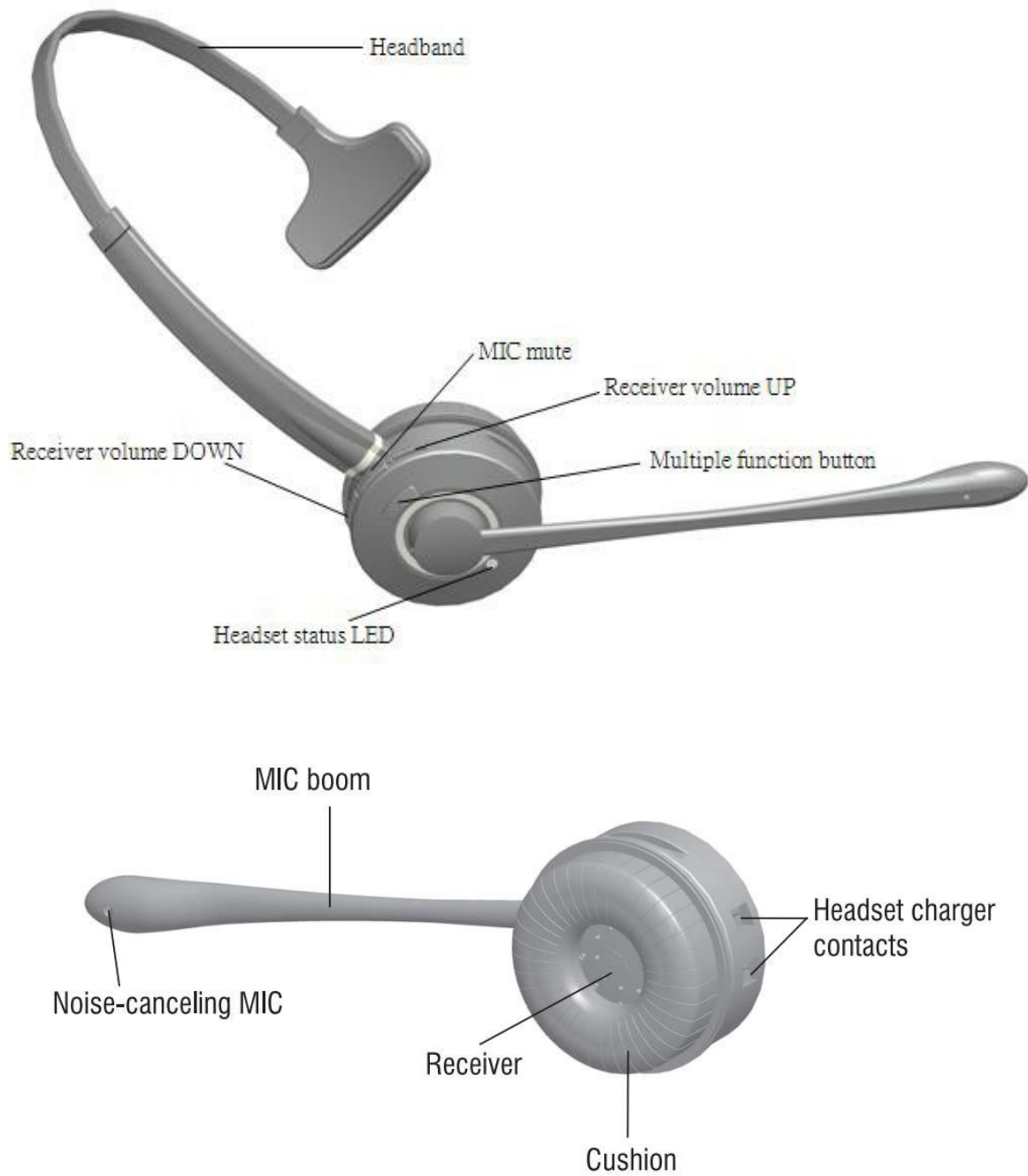


**Charging Base**

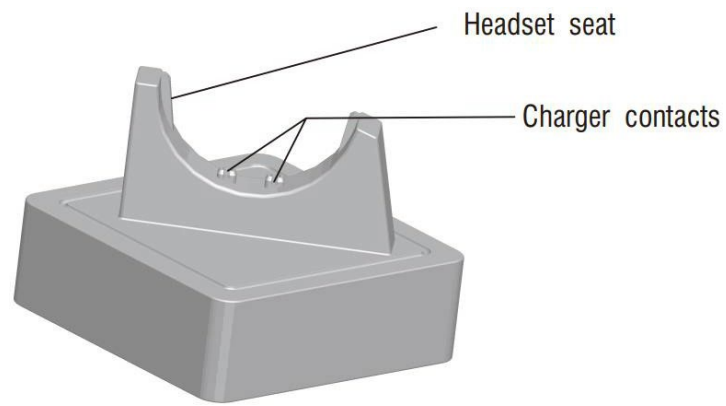


**USB Cable**

## Headset



## *Base*



## *Bluetooth adapter*

Bluetooth adapter is required for devices that do not have built-in Bluetooth.



Blue LED indicator is in the base of the Bluetooth adapter

# Usage

## *Pairing headset with Bluetooth device*

Be sure that your device has Bluetooth capability (A Bluetooth adapter will be required if your device does not have Bluetooth built in).

- For ePhone3-v2
  - Plug the Bluetooth adapter into the USB port on the side of the phone.
  - From the phone go to Menu > Basic > Bluetooth.
  - Use the left/right arrow keys to toggle Bluetooth to “Enabled” and select OK.
  - Place the ESI Bluetooth headset into pairing mode by long pressing the multifunction key on the headset for more than six seconds. The headset will say “Power on. Pairing”.
  - Release the multifunction key when you hear “Pairing”. The headset LED will flash red and blue alternately, which indicates the headset is in pairing mode.
  - From the phone select Scan.
  - When the ESI Bluetooth headset “9600 BT” appears on the phone devices list of Bluetooth devices detected, select the headset using the up/down navigation keys then select Link.
  - If pairing is successful, the headset LED will turn blue and a Bluetooth icon will appear on your device screen. An audible voice from the headset speaker will say, “Connected”.
- For ePhone4x-v2
  - Plug the Bluetooth adapter into the USB port on the side of the phone.
  - From the phone go to Menu > Basic > Bluetooth.
  - Use the left/right arrow keys to toggle Bluetooth to “Enabled” and select OK.
  - Place the ESI Bluetooth headset into pairing mode by long pressing the multifunction key on the headset for more than six seconds. The headset will say “Power on. Pairing”.
  - Release the multifunction key when you hear “Pairing”. The headset LED will flash red and blue alternately, which indicates the headset is in pairing mode.
  - From the phone select Scan.
  - When the ESI Bluetooth headset “9600 BT” appears on the phone devices list of Bluetooth devices detected, select the headset using the up/down navigation keys then select Link.
  - If pairing is successful, the headset LED will turn blue and a Bluetooth icon will appear on your device screen. An audible voice from the headset speaker will say, “Connected”.
- For ePhone8, reference **Headset** section in ePhone8 user guide 0455-0278.
- For ePhoneX/X-1 (Do not use Bluetooth adapter because Bluetooth built in)
  - From the phone go to Menu > Basic > Bluetooth.
  - Use the left/right arrow keys to toggle Bluetooth to “Enabled” and select OK.
  - Place the ESI Bluetooth headset into pairing mod by long pressing the multifunction key on the headset for more than six seconds. The headset will say “Power on. Pairing”.
  - Release the multifunction key when you hear “Pairing”. The headset LED will flash red and blue alternately, which indicates the headset is in pairing mode.
  - From the phone select Scan.
  - When the ESI Bluetooth headset “9600 BT” appears on the phone devices list of Bluetooth devices detected, select the headset using the up/down navigation keys then select Link.
  - If pairing is successful, the headset LED will turn blue and a Bluetooth icon will show on your device screen. An audible voice from the headset speaker will say, “Connected”.

- Pairing headset with non ESI devices that have built-in Bluetooth.
  - Set your device to search for Bluetooth devices (reference device manual).
  - Press the multi-function key on headset for more than 6 seconds, the LED will flash red and blue alternately, which indicates the headset is in pairing mode. You will also hear an audible voice from the headset speaker say, "Pairing".
  - Your device will detect the headset.
  - Search for the Bluetooth headset on your device. When "9600 BT" shows on your devices list of Bluetooth devices detected, select the Bluetooth headset to begin pairing. A PIN code may be required for a non esi device such as smart phone or laptop.
  - If pairing is successful, the LED will turn blue. You will also hear an audible voice from the headset speaker say, "Connected". You can now make calls with your Bluetooth headset.

If pairing fails on any of the above devices turn off the headset and repeat the step.

If no device is paired with the ESI Bluetooth headset within 120 seconds while in pairing mode, the Bluetooth headset will shut down automatically to save power.

### *Pairing Headset to a device that does not have built in Bluetooth*

If your device does not have Bluetooth built in, you will need the Bluetooth adapter and an available USB port on your device.

It is strongly recommended to NOT use the Bluetooth adapter on devices that have built-in Bluetooth. Conflicts may occur and pairing may be unsuccessful or device and headset may behave abnormally.

**WARNING: FOR DEVICES THAT HAVE BUILT IN MICROPHONES SUCH AS LAPTOPS, MAKE SURE THE HEADSET IS DEFAULT IN SOUND SETTINGS OR ECHO MAY RESULT BECAUSE THE DEVICE IS TRYING TO USE BOTH THE BUILT IN MICROPHONE AND THE HEADSET MICROPHONE.**



## Charging

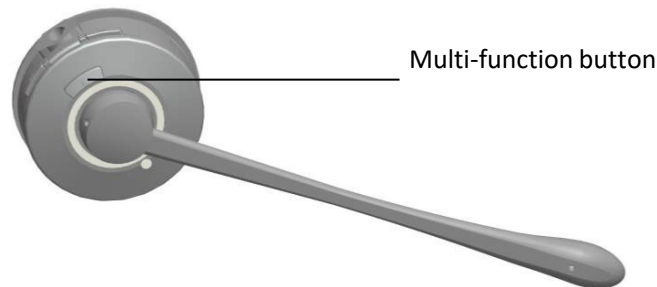
To charge the headset place the headset on base and use the supplied USB cable to connect the base to a USB port, or to a 5 volt power adaptor.

When the headset is charging, the status LED will be red. When headset is fully charged the status LED will be blue. When removed from the charging base, the headset will be in standby mode. The headset will shut down automatically to save power if there is no pairing.

## Headset Usage

### Using headset with a device that natively supports Electronic Hookswitch (EHS)

- Answer a call: Short press multi-function button on headset
- Disconnect a call: Short press multi-function button on headset.
- Make a call: Press headset key on phone.
- Microphone mute and on: During a call, short press the MUTE button to mute microphone. Press MUTE button again to unmute microphone.
- Volume Adjustment: Short press volume + key to increase volume. Short press volume - key to decrease volume.



### Using headset with a device that does not natively support EHS

- Answer a call: Press the headset key on the phone.
- Disconnect a call: Press the headset key or the End Call key on the phone.
- Make a call: Press the headset key on the phone.

### Using headset with desktop apps such as eMobile

- Answer a call: Click the Answer Call key in the app.
- Disconnect a call: Click the end key in the app.
- Make a call: Enter the number and click the Dial Number key in the app.

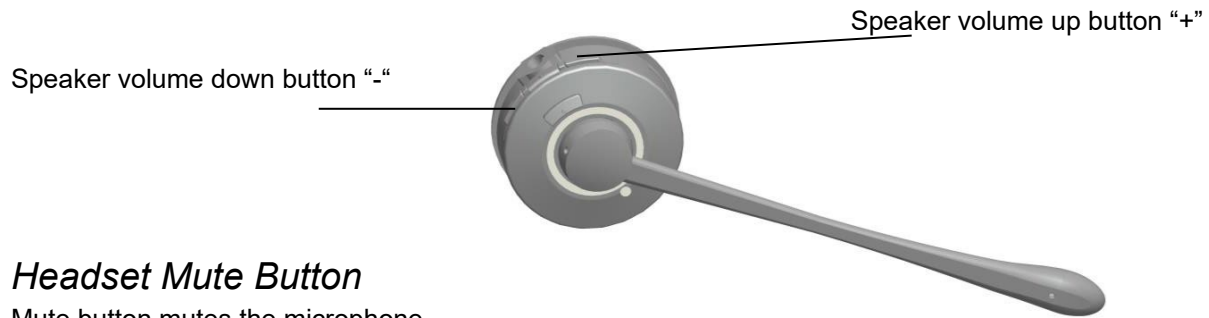
### Powering headset on and off

- Power on: Press and hold multi-function key for at least 3 seconds.
- Pairing mode: Press and hold multi-function key for 6+ seconds.
- Power off: Press and hold multi-function key for at least 3 seconds.



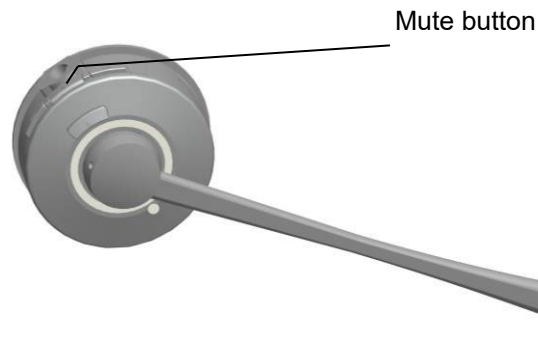
## Headset Speaker Volume Buttons

The speaker volume buttons adjust the headset speaker volume.



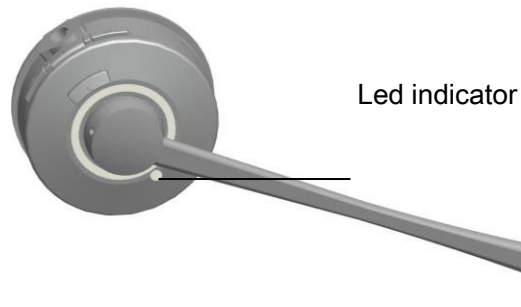
## Headset Mute Button

Mute button mutes the microphone.



## Headset LED Status Indicator

LED indicates call status.



### Headset status

### LED status

Power on	Blue light flashes four times (300ms on, 300ms off)
Power off	Red light flashes once (2s)
Pairing mode	Blue light and red light flash alternately (red light on 750ms, blue light on 750ms)
Pairing successful	Blue light flashes (300ms on, 8s off)
Answer call	Blue light flashes (300ms on, 8s off)
Charging	Red light on
Fully charged	Blue light on

# Technical Specifications

## *Headset*

- Wideband audio for exceptional sound quality.
- Volume and mute controls.
- Advanced hearing protection with Safetone™.
- Bluetooth Version: 5.0 backward compatible.
- Profile: Hands-Free (HFP) 1.6. Headset (HSP) 1.2. Advanced Audio Distribution (A2DP).
- Microphone with noise cancellation.
- Crystal clear sound and voice (DSP).
- Range: Up to 100 feet (30 meters) with clear line of sight.
- Talk time: up to 21 hours from 300mAh battery.
- Stand by time: up to 500 hours.
- Working environment: 32°F (0°C) to 104°F (40°C). Up to 95% relative humidity non-condensing.
- Visual indicators: LED indicates call status, pairing status and others.
- Beep: indicates volume adjustment and microphone mute.
- Sound: Mic Noise canceling, 6th generation CVC echo cancellation, tone control.
- Frequency: 2.4 GHz – 2.480 GHz.
- Receiver sensitivity: < -92dBm.

## *Headset battery*

- Battery type: Lithium-ion polymer.
- Battery capacity: 300mAh per hour standard. Battery talking time: Up to 21 hours.
- Battery life: Minimum recharging 1000 times. Battery standby time: At least 500 hours.
- Battery charging time:
  - Less than 60 minutes to charge 20%.
  - Less than 90 minutes to charge 50%.
  - Fully charged in less than 3.5 hours.

## *Bluetooth adapter*

- Size: 0.86x0.63x0.236in (22x16x6mm).
- Bluetooth wireless specifications: v4.0 compliant.
- Backwards compatible with Bluetooth 2.0, 2.1 and 3.0.
- Bluetooth range: Up to 33-66 feet (10-20m) with clear line of sight.
- Answer and hang up calls via headset.
- Bluetooth audio bandwidth: Wideband (HD audio).
- OS compatibility: Windows 10/8/7, Vista, 98, 98se, Me, 2000, XP

## *Charging Base*

- Size: 3.2x3.2x2.64in (81x81x67mm).
- Weight: 4.9oz (140g).

## Troubleshooting:

### Pairing lost

If you hear two short beeps followed by 15 seconds of silence, pairing has been lost between the headset you your device.

Steps to try if pairing is lost:

- Make sure Bluetooth is enabled on the device that lost pairing.
- Disable and re-enable Bluetooth on device(s).
- Power off headset and power it back on.
- Pair the headset to the device again.
- Reboot the device.
- If a Bluetooth adapter is plugged into device, remove the Bluetooth adapter from the device, wait 10 seconds and plug Bluetooth adapter back into device. If the device is an ESI phone, the headset DSS key LED should light green and connection restored.

### No audio

- Steps to try if pairing was successful but there is no audio:
  - Disable and then re-enable Bluetooth on your device. Or, if a Bluetooth adapter is plugged into the device, remove the Bluetooth adapter from the device, wait 10 seconds and plug Bluetooth adapter back into device. If the device is an ESI phone, the headset DSS key LED on the phone should light green and connection restored.
  - Reboot the device.
  - If the device is a computer or laptop with built in speaker and microphone, make sure the headset is the default audio device in device settings and in the app Sound settings.
- Steps to try if there is still no audio:
  - Power down headset.
  - Disable Bluetooth on the device, or unplug Bluetooth adapter(s).
  - Press and hold the multi-function power button on headset until "Pairing" is heard.
  - Re-enable Bluetooth on your device or plug Bluetooth adapter back in.
  - Headset should say "Connected" audio should be restored.

## Product Disposal

Dispose of in accordance with local regulations. Never treat headset as household waste. Do not dispose of the headset in a fire, the battery may explode. If damaged, the battery may explode.

## FCC Compliance

This device complies with part 15 of the FCC Rules. Operation is subject to the following two conditions: (1) This device may not cause harmful interference, and (2) this device must accept any interference received, including interference that may cause undesired operation.

Warning: Changes or modifications not expressly approved by the party responsible for compliance could void the user's authority to operate the equipment. Note: This equipment has been tested and found to comply with the limits for a Class B digital device, pursuant to part 15 of the FCC Rules. These limits are designed to provide reasonable protection against harmful interference in a residential installation. This equipment generates uses and can radiate radio frequency energy and, if not installed and used in accordance with the instructions, may cause harmful interference to radio communications. However, there is no guarantee that interference will not occur in a particular installation. If this equipment does cause harmful interference to radio or television reception, which can be determined by turning the equipment off and on, the user is encouraged to try to correct the interference by one or more of the following measures:

- Reorient or relocate the receiving antenna.
- Increase the separation between the equipment and receiver.
- Connect the equipment to an outlet on a circuit different from that to which the receiver is connected.
- Consult the dealer or an experienced radio/TV technician for help.

## RF Compliance

This equipment complies with FCC radiation exposure limits set forth for an uncontrolled environment. This transmitter must not be co-located or operated in conjunction with any other antenna or transmitter.